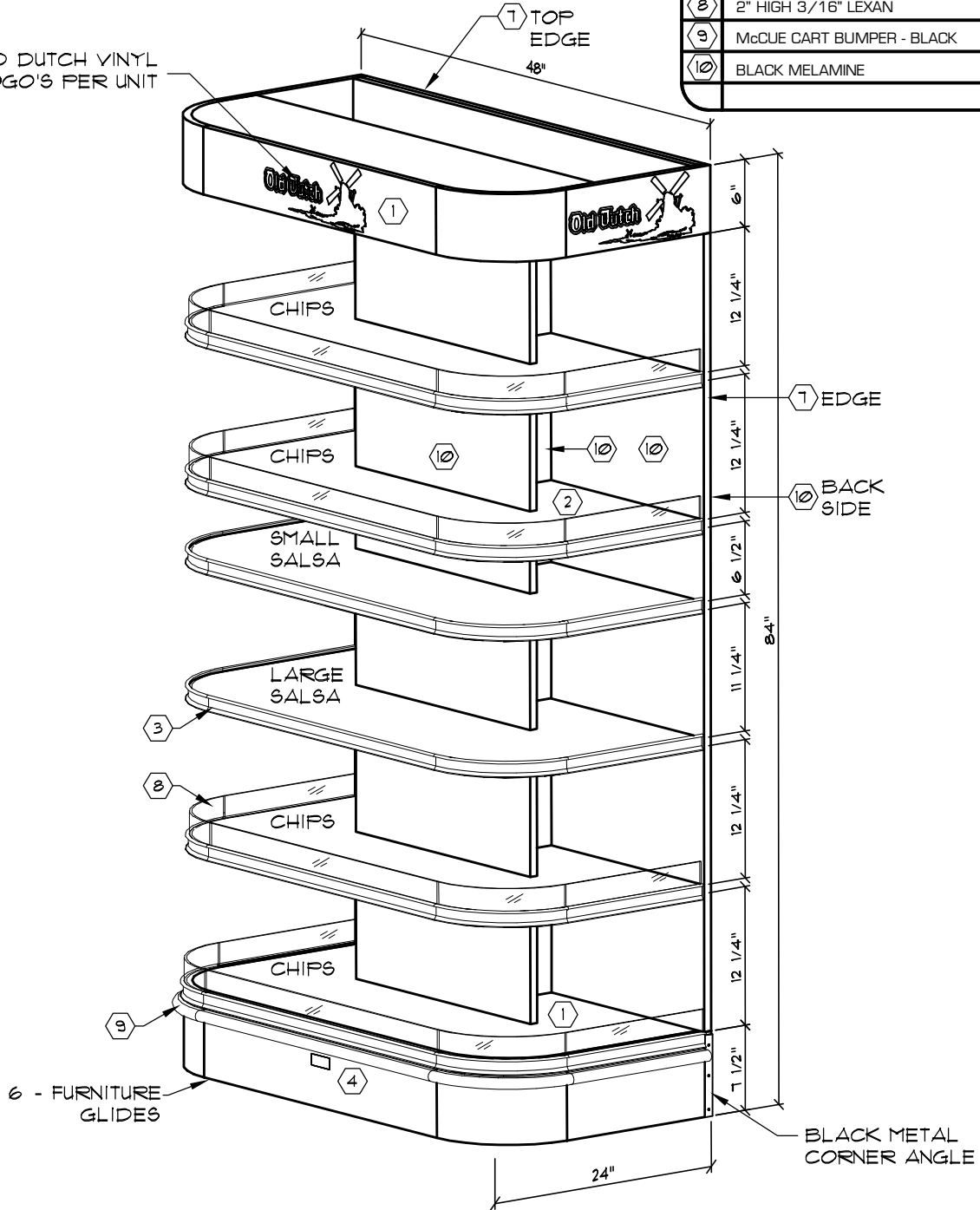


FINISH SCHEDULE

1	WILSONART #10776-60 KENSINGTON MAPLE
2	3/4" MELAMINE - HARDROCK MAPLE
3	PRICE TAG MOULDING, PLASTIC
4	BLACK P.LAM
5	11/16" PARTICLE BOARD
6	3mm PVC EDGE - HARDROCK MAPLE
7	3mm PVC EDGE - BLACK
8	2" HIGH 3/16" LEXAN
9	McCUE CART BUMPER - BLACK
10	BLACK MELAMINE

3 OLD DUTCH VINYL LOGO'S PER UNIT



**BRUNEL**  
 BRUNEL COMMERCIAL INTERIORS INC.  
 Calgary, Alberta  
 Phone:(403)287-0444 Fax:(403)243-9785

PROJECT: AISLE END MERCHANDISER - CHIPS & SALSA  
 DRAWING: 2FT DEEP - 3D VIEW  
 MODEL: OPTION #1  
 CUSTOMER: OLD DUTCH FOODS LTD.

DATE: 12/12/05	DRAWN BY: NG	SCALE: NTS	SHEET #:
W/O #:-	FILE:P/OtherJobs/OldDutch/Option1		1 OF 1